

KOMATSU®

D61EX-24 **D61PX-24** *Tier 4 Final Engine*

CRAWLER DOZER

D
6
1



Photos may include optional equipment.

NET HORSEPOWER

168 HP @ 2200 rpm
125 kW @ 2200 rpm

OPERATING WEIGHT

D61EX-24: 40,830 lb 18520 kg
D61PX-24: 42,902 lb 19460 kg

BLADE CAPACITY

D61EX-24: 4.41 yd³ 3.37 m³
D61PX-24: 4.98 yd³ 3.81 m³

WALK-AROUND

D61EX/PX-24



Photos may include optional equipment.

NET HORSEPOWER

168 HP @ 2200 rpm
125 kW @ 2200 rpm

OPERATING WEIGHT

D61EX-24: 40,830 lb 18520 kg
D61PX-24: 42,902 lb 19460 kg

BLADE CAPACITY

D61EX-24: 4.41 yd³ 3.37 m³
D61PX-24: 4.98 yd³ 3.81 m³



INCREASED VERSATILITY & FUEL ECONOMY

In addition to E and P modes, a new H mode helps operators maintain ground speed while operating under heavy loads.

Precise engine and efficient hydrostatic pump control technology improves operational efficiency and lowers fuel consumption.

SAA6D107E-3 EPA Tier 4 Final emissions certified engine has a water cooled variable geometry turbocharged and aftercooled 6.8 liter diesel engine which provides fuel & DEF TOTAL consumption less than the fuel consumed by the prior model.

New Komatsu Diesel Particulate Filter (KDPF) and Selective Catalytic Reduction (SCR) systems reduce particulate matter and NOx while providing automatic regeneration that does not interfere with daily operation.

Komatsu Auto Idle Shutdown helps reduce nonproductive engine idle time and reduces operating costs.

Rear view monitoring system (standard) is integrated into the monitor panel and can be auto synced to reverse travel for improved operator awareness.

Advanced diagnostic system continuously monitors machine operation and vital systems to identify machine issues, assists with troubleshooting, and minimizes down time.

New higher performance water-cooled Variable Geometry Turbocharger (VGT) uses a hydraulic actuator to provide optimum air flow under all speed and load conditions.

Efficient Cooling System:

- Electronically controlled, hydraulically-driven fan can be easily reversed through the monitor
- Rear hinged radiator guard with gas assisted lift cylinders opens easily for cleaning
- Side-by-side single plane coolers help reduce chances of plugging and simplify maintenance

The **KOMTRAX®** telematics system is standard on Komatsu equipment with no subscription-fee's throughout the life of the machine. Using the latest wireless technology, **KOMTRAX®** transmits valuable information such as location, utilization, and maintenance records to a PC or smartphone app. Custom machine reports are provided for identifying machine efficiency and operating trends. **KOMTRAX®** also provides advanced machine troubleshooting capabilities by continuously monitoring machine health.

Operator Identification System (standard) provides KOMTRAX data for machine operation and applications for up to 100 individual ID codes.

Integrated ROPS cab features:

- Large, quiet, pressurized cab meets ISO 3471 standard
- Exceptional visibility with super slant nose design and integrated ROPS structure
- Heated air-suspension seat (standard)
- Standard aux jack and (2) 12V power convertors

Improved durability:

- Heavy-plate steel used for the nose and the hydraulic and fuel tanks
- Dozer frame with steel castings
- Komatsu designed and manufactured components
- High wear-resistant dozer mold board



Photos may include optional equipment.

Rear Hydraulics (Standard)

Self-adjusting idler support provides constant and even idler tension, reducing vibration and increasing undercarriage life.

Standard Parallel Link Undercarriage System (PLUS) provides up to double the wear life and lowers repair and maintenance costs compared to a standard undercarriage design.

New Triple Labyrinth Final Drive Shield design provides additional protection for the final drive floating seals.

Power Angle Tilt (PAT) dozer with manually adjustable blade pitch increases productivity in a variety of applications.

New high-engine-RPM (H) mode helps maintain ground speed during heavy blade load applications.

Complete operator blade control:

- Palm Command Control System (PCCS)
- Electronic Proportional Control (EPC)
- Blade angle switch
- Three blade control settings (fine, normal, fast)
- Up to 5 individual operator settings can be stored

Efficient Hydrostatic Transmission with electronic control:

- Customizable quick shift (3 speed) settings for the operator
- Variable speed selection (20 speeds)
- HST control system helps reduce fuel consumption and improves maneuverability

Large color monitor:

- Easy-to-read and use large 7" high-resolution multi-color LCD monitor
- Ecology guidance
- Easy-to-use onboard diagnostics that don't require a laptop
- Real-time DEF monitoring so the operator can see actual DEF levels
- Five customizable operator settings for machine control
- Integrated rearview camera

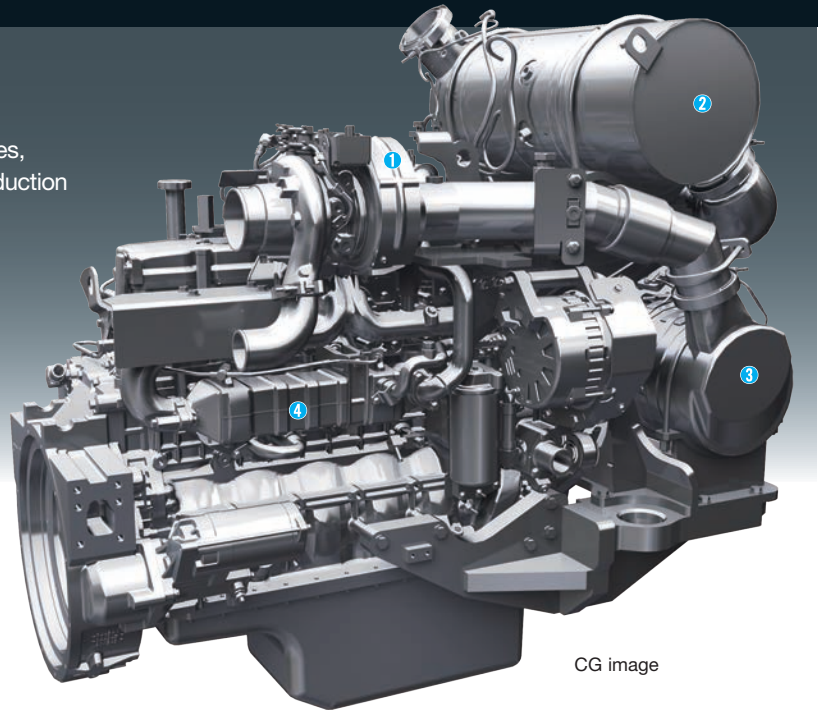
Convenient shovel holder (standard)

PERFORMANCE FEATURES

KOMATSU NEW ENGINE TECHNOLOGIES

Komatsu's New Emission Regulations-Compliant Engine

In addition to refining the Tier 4 Interim technologies, Komatsu developed a new Selective Catalytic Reduction (SCR) device in-house.

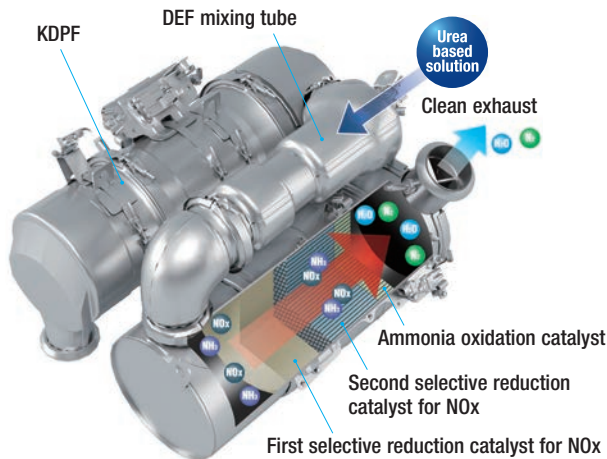


CG image

- ① Variable Geometry Turbocharger (VGT)
- ② Selective Catalytic Reduction (SCR)
- ③ Komatsu Diesel Particulate Filter (KDPF)
- ④ Exhaust Gas Recirculation (EGR) cooler

Technologies Applied to the New Engine Heavy-Duty Aftertreatment System

This new system combines a Komatsu Diesel Particulate Filter (KDPF) and Selective Catalytic Reduction (SCR). The SCR NOx reduction system injects the correct amount of DEF at the proper rate, transforming NOx into non-toxic water (H₂O) and nitrogen gas (N₂).



Advanced Electronic Control System

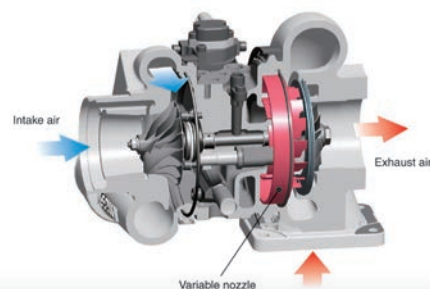
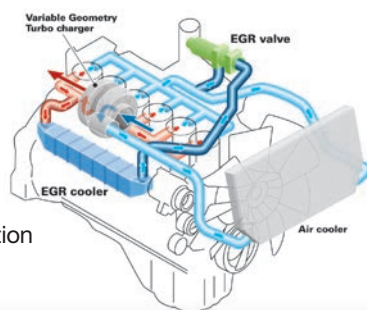
The electronic control system performs high-speed processing of all signals from sensors installed in the vehicle, providing total control of equipment in all conditions. Engine condition information is displayed via an on-board network to the monitor inside the cab, providing necessary information to the operator. Additionally, managing the information via KOMTRAX helps customers keep up with required maintenance.

Variable Geometry Turbocharger (VGT) system

The VGT system features proven Komatsu design hydraulic technology for variable control of air-flow and supplies optimal air according to load conditions. It provides better exhaust temperature management. The Tier 4 final version has an improved propeller design for increased performance.

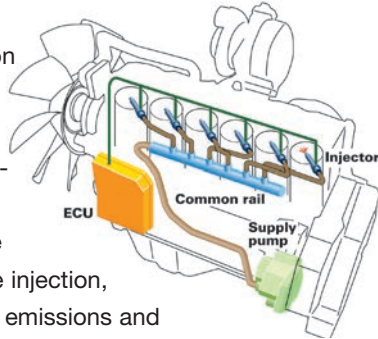
Heavy-Duty Cooled Exhaust Gas Recirculation (EGR) System

The system recirculates a portion of exhaust gas into the air intake and lowers combustion temperatures, thereby reducing NOx emissions. EGR gas flow has been decreased for Tier 4 Final with the addition of SCR technology. The system achieves a dynamic reduction of NOx, while helping reduce fuel consumption below Tier 4 Interim levels.



Heavy-Duty High-Pressure Common Rail (HPCR) Fuel Injection System

The system is designed to achieve an optimal injection of high-pressure fuel by means of computerized control, providing close-to-complete combustion to reduce PM emissions. The system uses high pressure injection, thereby reducing both PM emissions and fuel consumption over the entire range of engine operating conditions. The Tier 4 Final engine has advanced fuel injection timing for reduced fuel consumption and lower soot levels.



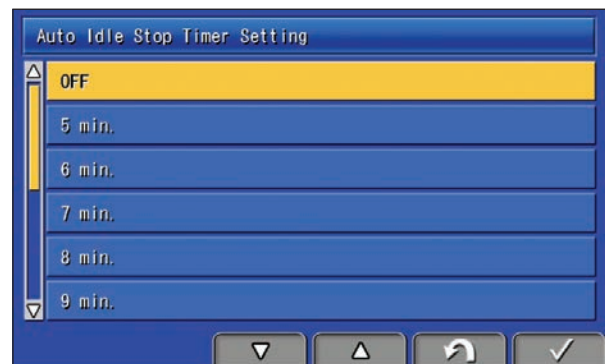
Komatsu Closed Crankcase Ventilation (KCCV)

The KCCV efficiency is significantly increased from previous models from around 50% to 95% efficiency.



Komatsu Auto Idle Shutdown

Komatsu auto idle shutdown automatically shuts the engine down after idling for a set period of time to reduce unnecessary fuel consumption and exhaust emissions. The amount of time before the engine is shutdown can be easily programmed from 5 to 60 minutes.



Redesigned combustion chamber at top of piston

The combustion chamber at the top of the piston has a new shape designed to improve combustion and further reduce NOx, PM, fuel consumption and noise.



PRODUCTIVITY & FUEL ECONOMY FEATURES

HYDROSTATIC TRANSMISSION (HST) CONTROL SYSTEM

Hydrostatic Transmission (HST) control system

The HST controller monitors engine output and work load. It controls HST pump and motor displacement to provide the optimum speed and drawbar pull. Full power to both tracks during turns or counter-rotation makes the D61EX/PX-24 extremely maneuverable.



Fuel Efficiency

The efficient electronically controlled HST system can reduce fuel consumption.

Hydraulically Driven Cooling Fan

The engine cooling fan's speed is electronically controlled. The fan speed depends on engine coolant, oil temperatures and the fan will only rotate as fast as is necessary to adequately cool the machine's fluid. This system increases fuel efficiency, reduces operating noise levels and uses less horsepower than a belt-driven fan.

Long Track-On-Ground and Oscillating Track Frame

Long machine track-on-ground and oscillating track frames improve stability and grading/dozing performance.

Selectable Working Mode

P mode is the mode designed for powerful operation and maximum production. E mode is designed for general dozing applications providing adequate speed and power while saving energy. For fuel reduction and energy saving, the monitor panel allows the operator to easily switch the working mode, depending on the work at hand.

P mode (Power mode)

With P mode, the engine outputs its full power, allowing the machine to perform the work requiring large production, heavy-loads and uphill work.

E mode (Economy mode)

With E mode, the engine outputs enough power for the work without delivering unnecessary power. This mode enables energy saving operation and is ideal on hard or rough surfaces that often cause shoe slip and work not requiring as much power, such as downhill dozing, leveling and light-load work.

H mode (high engine idle speed mode)

This setting allows subtle changes in load to be detected, which is tailor-made for power-intensive work. Compared to P mode, the engine high-idle speed is higher in H mode.

PAT DOZER

PAT Dozer with Adjustable Pitch

A power angle power tilt dozer blade with adjustable blade pitch system is available. This blade is available for the D61EX/PX-24 machines. The hydraulic blade tilt, angling function (and manually adjustable blade pitch) expand versatility and productivity in a variety of applications.



New High Wear Resistant Blade

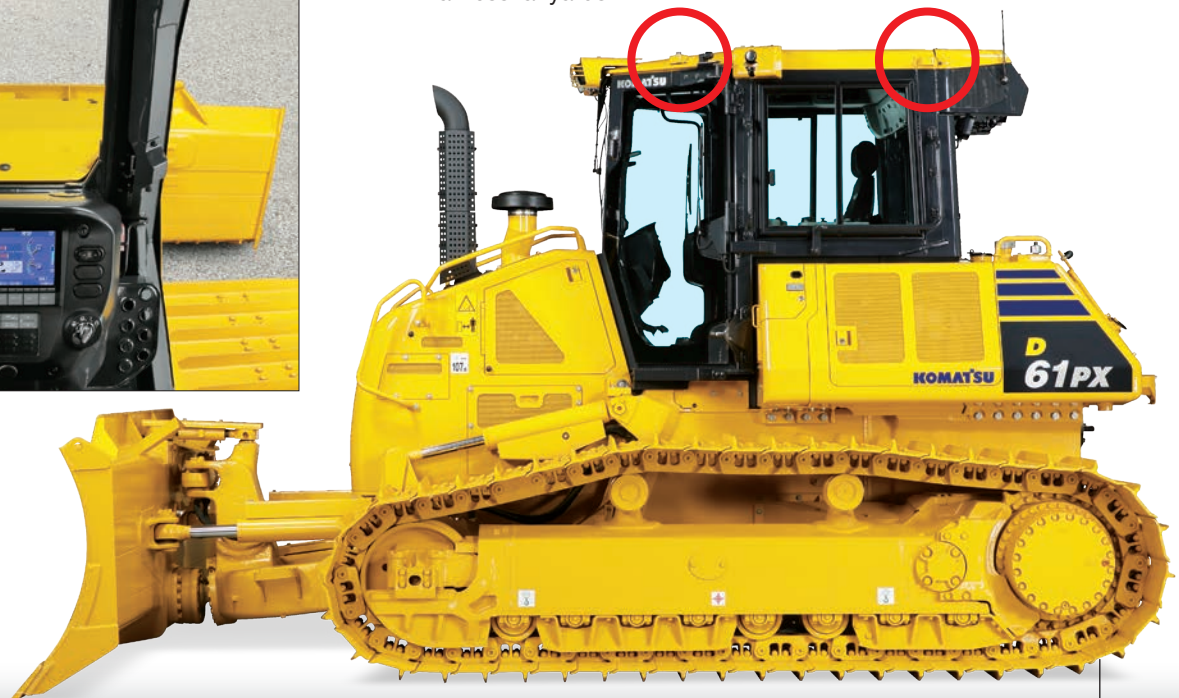
The wear life of the blade skin has been improved with the addition of wear resistant high strength steel..

Unrivalled Blade Visibility

The D61EX/PX-24 incorporates Komatsu's super-slant nose design. Komatsu's innovative design provides excellent blade visibility for improved machine control and increased efficiency and productivity.

Tie Off Points Standard (ISO 14567)

When working in elevated positions, four tie off points (one at each corner of the cab) provide anchors for technician harness lanyards.



CONTROL FEATURES

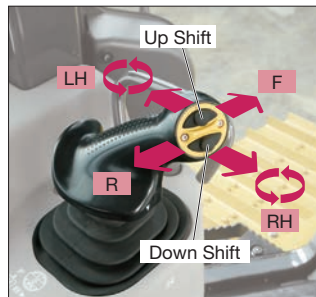


Palm Command Control System (PCCS) Levers

Komatsu's ergonomically-designed PCCS handles create an operating environment with complete operator control.

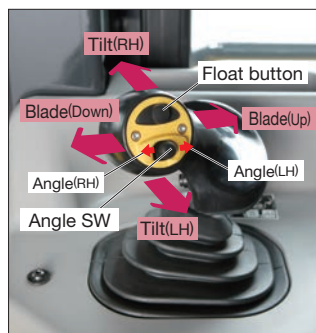
PCCS

The low-effort PCCS joystick controls all directional movements, including machine travel speed as well as counter-rotation.



Electronic Controlled Hydraulic System

The electronic controlled, palm commanded joystick provides precise blade control. New blade angling switch operation provides easier and predictable blade control.



HST with Electronic Control

The D61EX/PX-24 is equipped with Komatsu-designed HST that allows for Quick-Shift or Variable speed selection. The HST features dual-path closed-circuits with two variable displacement piston pumps and two variable displacement travel motors. Hydrostatic steering eliminates steering clutches and brakes, providing smooth powerful turns. Fully electronic control provides full automatic shifting and enables smooth control. An electronic fuel control dial controls engine speed.

One-Pedal Design (Decelerator/Brake Pedal) Controls Speed, During Operation

Machine operation is simple because brake function has been integrated into the decelerator pedal. Machine travel speed can be controlled using one pedal. The pedal function can be changed by a mode selector switch.

Decelerator mode: The pedal modulates engine rpms and vehicle travel speed. It can be used for all applications.

Brake mode: The pedal modulates vehicle travel speed while maintaining high-engine speed. This mode can be helpful to maintain work-equipment speed, while using the brake function.



WORKING ENVIRONMENT

Integrated ROPS (ISO 3471) Cab

The D61EX/PX-24 has an integrated ROPS (ISO 3471) cab. High rigidity and superb sealing performance sharply reduce noise and vibration for the operator and discourage dust from entering the cab. In addition, side visibility is increased because external ROPS (ISO 3471) structure and posts are not required.



Comfortable Ride with Heated Operator Seat

The operator seat has adjustable lumbar support, tilt and an electric heater. It is easy to adjust to the operator's shape. Also, the standard seat heat makes it possible to work comfortably in the winter.



Comfortable Ride with Cab Damper Mounting

The D61EX/PX-24's cab mount uses a cab damper system that provides the kind of excellent shock and vibration absorption which conventional mounting systems are unable to match. The silicon-oil-filled cab damper mount helps to isolate the cab from the machine body, suppressing vibration and providing a quiet, comfortable operating environment.

Auxiliary Input Jack & Two Electrical Outlets

By connecting an auxiliary device to this plug input, the operator can play audio from a mobile device through the machine's sound system. Two DC 12 volt electrical outlets provide a power source for a radio or other equipment.



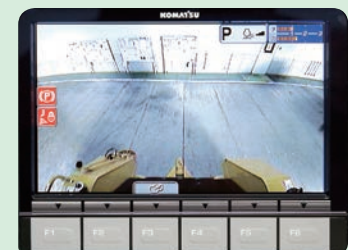
Two DC-12 V electrical outlets

Auxiliary input jack

ADDITIONAL OPERATOR CONVENIENCE EQUIPMENT

Rear view monitor system

On the large LCD color monitor, the operator can view, through one camera, areas directly behind the machine. This camera can be synchronized with reverse operation.



Secondary engine shutdown switch

A secondary switch has been added at the side of the front console to shut down the engine in an emergency.



RELIABILITY & MAINTENANCE FEATURES

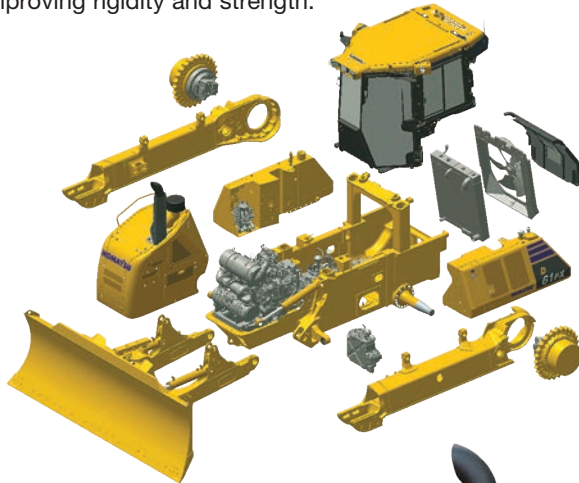
Excellent Reliability & Durability

Parallel Link Undercarriage System (PLUS)

Komatsu's new PLUS provides less downtime, plus longer wear with up to 40% lower undercarriage maintenance costs. Rotating bushings eliminate the cost and downtime for bushing turns, and strengthened rollers and links increase wear life up to two times. With PLUS, individual links can be replaced with common track tools.

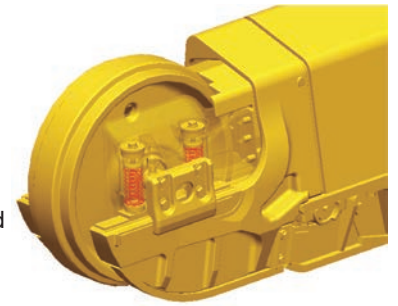
Modular design

One of the design goals behind the creation of the D61EX/PX-24 was to manufacture a more durable machine. This was achieved by reducing component complexity and using a strong modular design for increased serviceability and durability. Steel castings reduce the number of welds, improving rigidity and strength.



Self-adjusting idler support

The self-adjusting idler support provides constant and even tension on idler guide plates reducing noise and vibration and increasing undercarriage life.



Easy Maintenance

Planned maintenance and daily checks are the only way to ensure long service life from equipment. That's why Komatsu designed the D61EX/PX-24 with conveniently located maintenance points to make necessary inspections and maintenance quick and easy.

Hydraulically-driven swing-up fan

The D61EX/PX-24 utilizes a swing-up fan with a gas strut-assisted lift system to provide easy access to the (side-by-side) radiator, oil cooler and charge air cooler. The hydraulic fan has a cleaning mode which can be used for periodic cooler cleaning.



D61EX/PX-24

TECHNOLOGY FEATURES

Large Multi-Lingual High Resolution LCD Monitor

A large, user-friendly color monitor provides easy-to-understand information for the operator. Excellent screen visibility is achieved with a high resolution LCD monitor that is easy to read at various angles and lighting conditions. Simple and easy to operate switches and function keys facilitate multi-function operations. The monitor displays data in 26 languages.



Multi-Monitor with Troubleshooting Function to Minimize Down Time

Various meters, gauges and warning functions are centrally arranged on the multi-monitor. The monitor simplifies start-up inspection and promptly warns the operator with a lamp and buzzer if any abnormalities occur. In addition, countermeasures are indicated in 4 levels to help prevent major machine problems. Replacement times for required PM services are also indicated.

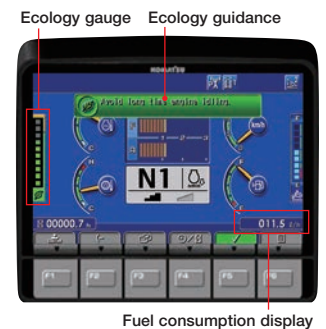


Energy Saving Operation

Ecology guidance

In order to support efficient operation, the following 4 messages are displayed for fuel saving operation. These can be disabled by the operator if desired.

- 1) Avoid Excessive Engine Idling
- 2) Use Economy Mode to Save Fuel
- 3) Avoid Hydraulic Relief Pressure
- 4) Avoid Over Load



Ecology gauge

To help the operator perform in an environmentally-friendly way and to minimize energy consumption, an easy-to-read "ecology gauge" is displayed on the left of the multi-monitor screen.

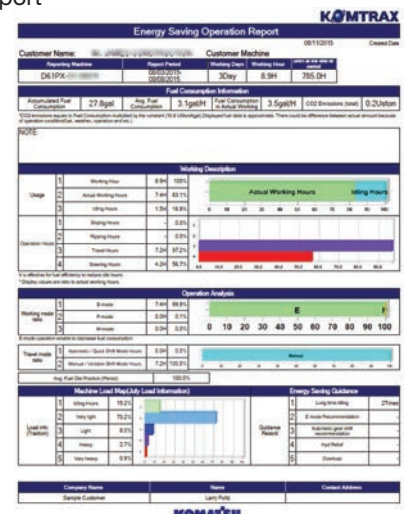
Fuel consumption display

Average fuel consumption during the day is displayed and updated every 10 seconds.

Ecological Operation Report for Assistance

KOMTRAX® is Komatsu's remote equipment and fleet monitoring system. Wireless technology and a secure Web-based application offers the information needed to make the best possible operation and management decisions, from location, actual hours worked, and fuel consumption to maintenance monitoring, abnormality codes, and load frequency, in simple to read and understand reports. The new D61EX/PX-24 adds the following new information for fuel consumption reduction.

- Guidance to improve fuel consumption
- Ecological operation report
- Report operation hours by operation mode (E, P, or H mode)



KOMATSU PARTS & SERVICE SUPPORT



KOMATSU CARE®

Program Includes:

*The D61EX/PX-24 comes standard with complimentary factory scheduled maintenance for the first 3 years or 2,000 hours, whichever occurs first.

Planned Maintenance Intervals at:

500/1000/1500/2000 hour intervals. (250 hr. initial interval for some products) Complimentary Maintenance Interval includes: Replacement of Oils & Fluid Filters with genuine Komatsu Parts, 50-Point inspection, Komatsu Oil & Wear Analysis Sampling (KOWA) / Travel & Mileage (distance set by distributor; additional charges may apply).

Benefits of Using Komatsu CARE

- Assurance of Proper Maintenance with OEM Parts & Service
- Increased Uptime & Efficiency
- Factory Certified Technicians Performing Work
- Cost of Ownership Savings
- Transferable Upon Resale

Complimentary KDPF Exchanges

The D61PX/EX-24 comes standard with 2 Complimentary KDPF Exchange Units for the first 5 years or 9,000 hours whichever occurs first. The suggested KDPF Exchange unit service intervals are 4,500 hours & 9,000 hours. End user must have authorized Komatsu distributor perform the removal & installation of the KDPF.

Complimentary SCR Maintenance

The D61EX/PX-24 also includes 2 factory suggested services of the Selective Catalytic Reduction (SCR) Diesel Exhaust Fluid (DEF) system during the first 5 years or 9,000 hours whichever occurs first. The service includes factory suggested DEF tank flush & strainer cleaning at the suggested service intervals of 4,500 hours & 9,000 hours.

Komatsu CARE® – Advantage Extended Coverage

- Extended Coverage can provide peace of mind by protecting customers from unplanned expenses that effect cash flow
- Purchasing extended coverage locks-in the cost of covered parts and labor for the coverage period and helps turn these into fixed costs



Komatsu Parts Support

- 24/7/365 to fulfill your parts needs
- 9 parts Distribution Centers strategically located across the U.S. and Canada
- Distributor network of more than 300 locations across U.S. and Canada to serve you
- Online part ordering through Komatsu eParts
- Remanufactured components with same-as-new warranties at a significant cost reduction



KOMATSU CARE D61EX/PX-24

Interval PM	500	1000	1500	2000
KOWA SAMPLING – (Engine, Hydraulics, L & R Final Drives)	✓	✓	✓	✓
LUBRICATE MACHINE, INCLUDING EQUALIZER BAR CENTER AND SIDE PINS	✓	✓	✓	✓
CHANGE ENGINE OIL	✓	✓	✓	✓
REPLACE ENGINE OIL FILTER	✓	✓	✓	✓
REPLACE FUEL PRE-FILTER	✓	✓	✓	✓
REPLACE A/C FRESH & RECIRCULATION FILTERS	✓	✓	✓	✓
DRAIN SEDIMENT FROM FUEL TANK	✓	✓	✓	✓
CLEAN AIR CLEANER ELEMENT	✓	✓	✓	✓
COMPLETE 50 POINT INSPECTION FORM; LEAVE PINK COPY WITH CUSTOMER OR IN CAB	✓	✓	✓	✓
RESET MONITOR PANEL MAINTENANCE COUNTER FOR APPROPRIATE ITEMS	✓	✓	✓	✓
REPLACE FUEL MAIN FILTER		✓		✓
REPLACE FUEL TANK BREATHER ELEMENT		✓		✓
REPLACE HYDRAULIC TANK BREATHER ELEMENT		✓		✓
CHANGE FINAL DRIVE OIL		✓		✓
CHANGE HYDRAULIC OIL				✓
REPLACE HYDRAULIC FILTER				✓
REPLACE HST FILTER				✓
REPLACE KCCV FILTER				✓
CLEAN HYDRAULIC TANK STRAINER				✓
FACTORY TRAINED TECHNICIAN LABOR	✓	✓	✓	✓
2 KDPF Exchanges suggested at 4,500 Hrs and 9,000 Hrs.				
2 SCR System Maintenance Services suggested at 4,500 Hrs. and 9,000 Hrs.				

Komatsu Oil and Wear Analysis (KOWA)

- KOWA detects fuel dilution, coolant leaks, and measures wear metals
- Proactively maintain your equipment
- Maximize availability and performance
- Can identify potential problems before they lead to major repairs
- Reduce life cycle cost by extending component life

* Certain exclusions and limitations apply. Refer to the customer certificate for complete program details and eligibility. Komatsu® and Komatsu Care® are registered trademarks of Komatsu Ltd. Copyright 2019 Komatsu America Corp.

D61EX/PX-24

KOMTRAX EQUIPMENT MONITORING

GET THE WHOLE STORY WITH
KOMTRAX[®]

✓ WHAT

- KOMTRAX is Komatsu's remote equipment monitoring and management system
- KOMTRAX **continuously monitors and records** machine health and operational data
- Information such as fuel consumption, utilization, and a detailed history **lowering owning and operating cost**

✓ WHO

- KOMTRAX is **standard** equipment on all Komatsu construction products

✓ WHEN

- Know when your machines are **running or idling** and make decisions that will improve your fleet utilization
- Detailed movement records ensure you know when and where your equipment is moved
- Up to date records allow you to **know when maintenance is due** and help you plan for future maintenance needs

✓ WHERE

- KOMTRAX data **can be accessed virtually anywhere** through your computer, the web or your smart phone
- Automatic alerts keep fleet managers up to date on the latest machine notifications

✓ WHY

- Knowledge is power - **make informed decisions** to manage your fleet better
- Knowing your idle time and fuel consumption will help maximize your machine efficiency
- **Take control of your equipment** - any time, anywhere



KOMTRAX[®]

For construction and compact equipment.

KOMTRAX Plus[®]

For production and mining class machines.

SPECIFICATIONS



ENGINE

Model..... Komatsu SAA6D107E-3*
 Type..... 4-cycle, water-cooled, direct injection
 Aspiration..... Variable geometry, water-cooled, turbocharged, air-to-air aftercooled, cooled EGR
 Number of cylinders..... 6
 Bore x stroke..... 107 mm x 124 mm **4.21" x 4.88"**
 Piston displacement..... 6.69 ltr **408 in³**
 Governor..... All-speed and mid-range, electronic
 Horsepower
 SAE J1995..... Gross 127 kW **170 HP**
 ISO 9249 / SAE J1349..... Net 125 kW **168 HP**
 Hydraulic fan at maximum speed..... Net 113 kW **152 HP**
 Rated rpm..... 2200 rpm
 Fan drive type..... Hydraulic
 Lubrication system
 Method..... Gear pump, force lubrication
 Filter..... Full-flow

*EPA Tier 4 Final emissions certified



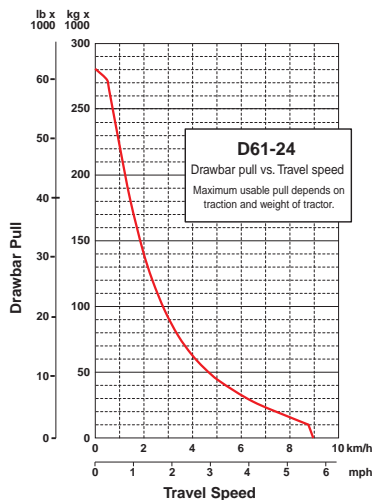
HYDROSTATIC TRANSMISSION

Dual-path, hydrostatic transmission provides infinite speed changes up to 9.0 km/h **5.6 mph**. The variable capacity travel motors allow the operator to select the optimum speed to match specific jobs. Travel control lock lever and neutral switch.

Travel speed (quick shift mode)*	Forward	Reverse
1st	0-3.4 km/h 0-2.1 mph	0-4.1 km/h 0-2.5 mph
2nd	0-5.6 km/h 0-3.5 mph	0-6.5 km/h 0-4.0 mph
3rd	0-9.0 km/h 0-5.6 mph	0-9.0 km/h 0-5.6 mph

Travel speed (variable mode)	Forward	Reverse
	0-9.0 km/h 0-5.6 mph	0-9.0 km/h 0-5.6 mph

*Quick shift speeds are adjustable in the monitor.



FINAL DRIVES

In-shoe mounted axial piston type travel motors with integrated two-stage planetary gear reduction. Compact in-shoe mount reduces risk of damaged by debris. Bolt-on sprocket for easy displacement.



STEERING SYSTEM

PCCS joystick control for all directional movements. Pushing the joystick forward results in forward machine travel, while pulling it backward reverses the machine. Simply tilt the joystick to the left or right to make a turn. Tilting the joystick fully to the left or right activates counter-rotation. HST eliminates steering clutches and brakes, providing smooth powerful turns. Fully electronic control enables smooth control. The PCCS utilizes shift buttons to increase and decrease speed.

Minimum turning radius
 D61EX-24 2.1 m **83"**
 D61PX-24 2.3 m **91"**



UNDERCARRIAGE

Suspension..... Oscillating-type with equalizer bar and pivot shafts
 Track roller frame Monocoque, large section, durable construction
 Rollers and idlers Lubricated track rollers

Lubricated tracks

Parallel Link Undercarriage System (PLUS) with lubricated rotating bushings for extended system wear life and lower maintenance costs. Track tension is easily adjusted with grease gun.

	D61EX-24	D61PX-24
Number of track rollers (each side)	8	8
Type of shoes (standard)	Single grouser	Single grouser
Number of shoes (each side)	46	46
Grouser height	mm in 57.5 2.3"	57.5 2.3"
Shoe width (standard)	mm in 600 24"	860 34"
Ground contact area	cm ² 37980	54440
	in ² 5,887	8,438
Ground pressure	kPa 43.2	31.7
(with dozer, ROPS cab)	kgf/cm ² 0.44	0.32
	psi 6.27	4.60
Track gauge	mm ft.in 1900 6'3"	2130 7'0"
Length of track on ground	mm ft.in 3165 10'5"	3165 10'5"



SERVICE REFILL CAPACITIES

Coolant 45 ltr **11.9 U.S. gal**
 Fuel tank 372 ltr **98.3 U.S. gal**
 Engine oil 27 ltr **7.2 U.S. gal**
 Hydraulic tank 101 ltr **26.7 U.S. gal**
 Final drive (each side)..... 8.1 ltr **2.2 U.S. gal**
 DEF tank 20.6 ltr **5.4 U.S. gal**



OPERATING WEIGHT (APPROXIMATE)

Tractor weight:
 Including ROPS (ISO 3471) cab, C frame for PAT dozer, rated capacity of lubricant, coolant, full fuel tank, operator and standard equipment.

D61EX-24 17530 kg **38,647 lb**
 D61PX-24 18320 kg **40,389 lb**

Operating weight:

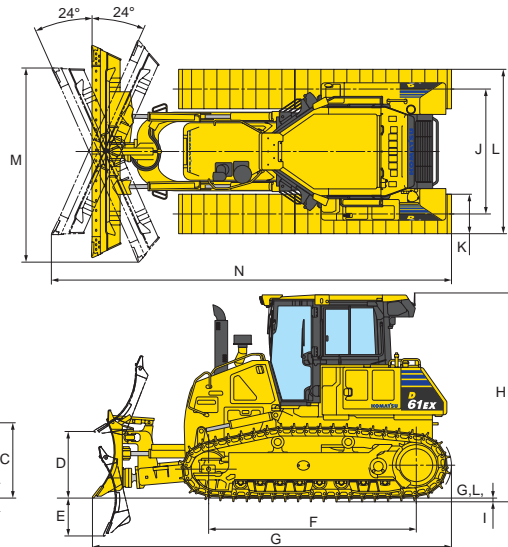
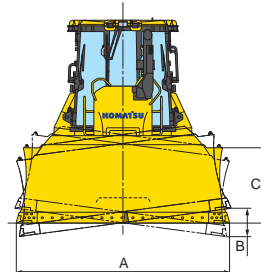
Including PAT dozer, ROPS (ISO 3471) cab, operator, standard equipment, rated capacity of lubricant, coolant and full fuel tank.

D61EX-24 18520 kg **40,830 lb**
 D61PX-24 19460 kg **42,902 lb**



DIMENSIONS

	D61EX-24		D61PX-24	
A	3250 mm	10'8"	3860 mm	12'8"
B	435 mm	1'5"	515 mm	1'8"
C	1195 mm	3'11"	1155 mm	3'9"
D	1025 mm	3'4"	1025 mm	3'4"
E	580 mm	1'11"	580 mm	1'11"
F	3165 mm	10'5"	3165 mm	10'5"
G	5480 mm	18'	5480 mm	18'
H	3180 mm	10'5"	3180 mm	10'5"
I	57.5 mm	2"	57.5 mm	2"
J	1900 mm	6'3"	2130 mm	7'0"
K	600 mm	2'0"	860 mm	2'10"
L	2500 mm	8'2"	2990 mm	9'10"
M	2980 mm	9'9"	3530 mm	11'7"
N	6100 mm	20'0"	6220 mm	20'5"



Ground clearance 390 mm **15"**



HYDRAULIC SYSTEM

Closed-Center Load Sensing System (CLSS) designed for precise and responsive control, and for efficient simultaneous operation.

Hydraulic control unit:

All spool control valves externally mounted remote to the hydraulic tank. Piston-type hydraulic pump with capacity (discharge flow) of 171 ltr/min **45 U.S. gal/min** at rated engine rpm.

Relief valve setting 27.4 MPa 280 kg/cm² **3,974 psi**
 Hydraulic cylinders Double-acting, piston type

	Number of cylinders	Bore
Blade lift	2	100 mm 4"
Blade tilt	1	120 mm 5"
Blade angle	2	110 mm 4"

Hydraulic oil capacity (refill):

Power angle tilt dozer 101 ltr **26.7 U.S. gal**

Control valves:

3-spool control valve for Power Angle Tilt dozer

Positions:

Blade lift Raise, hold, lower, and float

Blade tilt Right, hold, and left

Blade angle Right, hold, and left

Additional control valve required for ripper

Positions:

Ripper lift Raise, hold, and lower



DOZER EQUIPMENT

	Overall Length With Dozer mm ft.in	Blade Capacity m ³ yd ³	Blade Width x Height mm ft.in	Max. Lift Above Ground mm ft.in	Max. Drop Below Ground mm ft.in	Max. Tilt Adjustment mm ft.in
D61EX-24	5480	3.4	3250 x 1195	1025	580	435
Power Angle Tilt Dozer	18'0"	4.5	10'8" x 3'11"	3'4"	1'11"	17"
D61PX-24	5480	3.8	3860 x 1155	1025	580	515
Power Angle Tilt Dozer	18'0"	5.0	12'8" x 3'9"	3'4"	1'11"	20"

Blade capacities are based on the recommended practice ISO 9246. Use of high-tensile-strength steel in moldboard for strengthened blade construction.



STANDARD EQUIPMENT FOR BASE MACHINE*

- Accumulator for Electric Proportional Control (EPC)
- Air cleaner, dry, double element type with caution lamp on monitor
- Air conditioner (A/C)
- Air inlet
- Alternator, 24 V/90 A
- Back-up alarm
- Batteries, large capacity 24 V/200 Ah
- Cab accessories
 - 12 V x 2 power supply
 - Cup holder
 - Rear view mirror
 - Rear view monitor system (1 camera)
- Crankcase guard and underguard
- Decelerator/brake pedal (Single pedal)
- Electronically controlled Hydrostatic Transmission (HST) with quick-shift and variable speed settings
- Electronic monitor panel with on-board diagnostics
- Engine hood and side panels
- Engine, KOMATSU SAA6D107E-3, gross output of 127 kW **170 HP**, direct injection, water-cooled turbocharged, air-to-air aftercooler, cooled EGR, EPA Tier 4 Final and EU Stage 4 emissions certified
- Engine secondary shutdown switch
- Fan, hydraulic driven, electronic control
- Filler cap locks and cover locks
- Foot rest, high mounted
- Fuel pre-filter (10 micron) and fuel filter (2 micron)
- Grease gun holder
- High altitude arrangement (No fuel adjustment up to 2300 m)
- Horn
- Hydraulics for PAT dozer
- Hydraulics for rear equipment
- Intake pipe with precleaner
- Komatsu Diesel Particulate Filter (KDPF)
- KOMTRAX Level 5.0
- Large high-resolution LCD color monitor
- Lunch box holder
- Marks and plates, English
- New Operator Identification System
- Palm Command Control System (PCCS) with electronic control for travel control
- Palm Command Control System (PCCS) with EPC for blade control
- Power turn with counter rotation
- Pullhook, front
- Radiator guard grid
- Radiator reserve tank
- Real-time DEF monitoring
- Rear-hinged radiator guard
- Reverse travel speed presets
- ROPS cab
 - Meets ISO 3471, SAE J/ISO 3471 ROPS standards, and ISO 3449 FOPS standard.
- Seat belt, 76 mm **3"** retractable
- Seat belt indicator
- Seat, air suspension, fabric, heated, low back, headrest
- Shovel holder
- Starting motor, 24 V/5.5 kW
- Selective Catalytic Reduction (SCR)
- Self adjusting roller
- Side by side rear mounted cooling package
- Sprockets, bolt-on
- Sprocket inner guard
- Tie off points standard (ISO 14567)
- Track roller guards, end section
- Track shoe assembly (PLUS)
 - Sealed and lubricated
 - D61EX-24: 600 mm **24"** single grouser shoe
 - D61PX-24: 860 mm **34"** single grouser shoe
- Triple labyrinth final drive shield design
- Underguards, heavy duty
 - Engine
 - Transmission
- Variable Geometry Turbocharger (VGT)
- Water separator
- Worklamp (Front 3, rear 2)

* Dozer assembly and rear-mounted equipment are not included in base machine price.
 ** Cab meets ROPS and FOPS Level 2 standards



OPTIONAL EQUIPMENT

- Dozer assembly
- Drawbar, long type
- Track roller guard, full length

Multi-shank ripper

Weight.....	1757 kg	3,874 lb
Beam length.....	2170 mm	7'1"
Maximum lift above ground.....	560 mm	1'10"
Maximum digging depth.....	665 mm	2'2"



ALLIED MANUFACTURER'S ATTACHMENTS (SHIPPED LOOSE)

- Guarding - Komatsu (Ken Garner)
 - Front sweeps 260 kg **573 lb**
 - Hinged cab side screens 44 kg **97 lb**
 - Hinged cab rear screen 43 kg **95 lb**
 - Rear A/C guard (requires front sweep) 60 kg **132 lb**
 - Rear fan guard (HD) 12 kg **27 lb**
- Hydraulic winch - Allied H6H 1356 kg **2,990 lb**



AESS889-04

©2019 Komatsu America Corp.

Printed in USA

AD08(1.5M)OTP

08/19(EV-1)

KOMATSU®

Note: All comparisons and claims of improved performance made herein are made with respect to the prior Komatsu model unless otherwise specifically stated.

www.komatsuamerica.com

Komatsu America Corp. is an authorized licensee of Komatsu Ltd.
 Materials and specifications are subject to change without notice

KOMATSU®, Komatsu Care®, KOMTRAX® and KOMTRAX Plus® are registered trademarks of Komatsu Ltd.
 All other trademarks and service marks used herein are the property of Komatsu Ltd., Komatsu America Corp. or their respective owners or licensees.

D61EX/PX-24